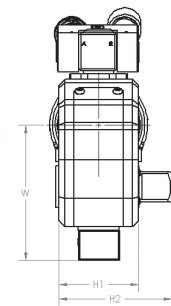
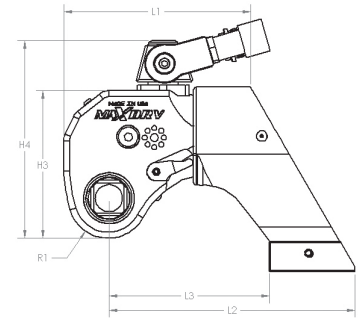


# MAXDRV<sup>®</sup> SERIES SQUARE DRIVE TORQUE WRENCHES

MAXDRV Series Square Drive Torque Wrenches offer a compact design, constructed of aluminum alloy and high strength steel alloy for increased strength and durability while minimizing the weight. The MAXDRV Series is available in a 64 ft-lbs. to 18,446 ft-lbs. (86 Nm - 25,009 Nm) torque range.



## MAXDRV SPECS

Model	.7MD		1MD		3MD		5MD		10MD		17MD	
Torque (ft-lbs.)	64 - 793		125 - 1,318		270 - 3,167		538 - 5,480		1,050 - 11,206		1,640 - 18,446	
Torque (Nm)	86 - 1,076		169 - 1,787		366 - 4,294		729 - 7,430		1,423 - 15,193		2,223 - 25,009	
Drive	.75"		.75"		1.00"		1.50"		1.50"		2.50"	
Weight	3.2 lbs	1.45 kg	5 lbs	2.27 kg	11 lbs	5.00 kg	18 lbs	8.16 kg	32 lbs	14.51 kg	61 lbs	27.67 kg
L1	3.90"	99.1 mm	4.83"	122.7 mm	6.18"	157.0 mm	7.47"	189.7 mm	9.36"	237.7 mm	10.85"	275.6 mm
L2	5.08"	129.0 mm	6.23"	158.2 mm	8.13"	206.5 mm	9.73"	247.1 mm	12.22"	310.4 mm	14.20"	360.7 mm
L3	3.32"	84.3 mm	4.11"	104.4 mm	5.31"	134.9 mm	6.41"	162.8 mm	8.02"	203.7 mm	9.19"	233.4 mm
H1	1.62"	41.1 mm	1.97"	50.0 mm	2.63"	66.8 mm	3.16"	80.3 mm	3.95"	100.3 mm	4.63"	117.6 mm
H2	2.56"	65.0 mm	2.88"	73.2 mm	3.72"	94.5 mm	4.93"	125.2 mm	5.75"	146.1 mm	6.98"	177.3 mm
H3	3.02"	76.7 mm	3.77"	95.8 mm	4.88"	124.0 mm	5.97"	151.6 mm	7.35"	186.7 mm	8.50"	215.9 mm
H4	4.29"	108.9 mm	4.97"	126.2 mm	6.46"	164.1 mm	7.71"	195.8 mm	9.04"	229.6 mm	10.36"	263.1 mm
W	1.50"	38.1 mm	3.45"	87.6 mm	4.49"	114.1 mm	5.39"	136.9 mm	6.73"	170.9 mm	7.82"	198.6 mm
R1	.83"	21.1 mm	1.04"	26.4 mm	1.31"	33.3 mm	1.63"	41.4 mm	2.03"	51.6 mm	2.32"	58.9 mm

For more information call

**1.304.744.9489**

**TorsionX.com**